

## At A Glance



Protection: Secondary



Feed Type: Gravity



Material Type: NdFeb



Cleaning Type: Automatic

**Our Auto-Shuttle magnetic separator enables screening of processed products 24 hours a day, seven days a week, without the need for manual intervention. The system can even carry out a full clean without the need to stop the process.**

The unit is supplied with a pre-programmed PLC that can either work independently or connected to the central control rooms system for remote activation or monitoring etc. There are reed switches fitted to each end of the separator tubes to indicate the position of each magnetic core. The full system remains air tight throughout normal operation making it suitable for environments where ATEX equipment is required.



## Benefits

- Fully autonomous in operation
- Removes micron sized contaminants
- Reduces 'spark' risk
- Suitable for control room connection

## Performance

|                      |   |
|----------------------|---|
| Magnetic Performance | 7000, 9000 and 10000 Gauss  |
| Performance Reading  | On tube surface   |
| Magnet Grade         | N35 & N45 – Inspected and confirmed via hysteresograph prior to use |
| Temperature          | -5°C / +40°C  |
| Pressure             | + / - 0.2 Bar   |

## Suitability

|                   |   |
|-------------------|---|
| Suitable Products | Dry powders and granulates, flour, sugar and salt |
| Suitable Location | Any vertical process line                         |

## Options

- Pharmaceutical specification
- Siemens, Mitsubishi or Allen Bradley PLC
- Flanged to suit
- Higher temperature versions available
- Metal detectable seal

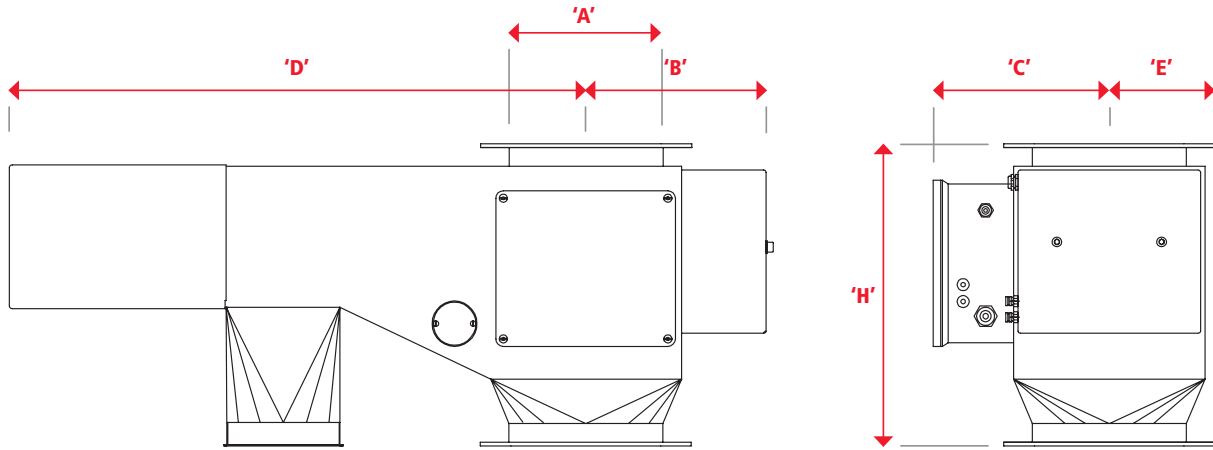
## Materials

|                   |   |
|-------------------|---|
| Magnetic Material | Rare Earth Neodymium Iron Boron - (NdFeb)         |
| Housing           | 316 grade stainless steel                         |
| Tubing            | 316 grade stainless steel                         |
| Other Parts       | 316 grade stainless steel                         |
| Sealing           | Self adhered white foam                           |
| Surface Finish    | Brushed internally / Polished externally to 1.2µm |
| PLC               | Cruzet  |

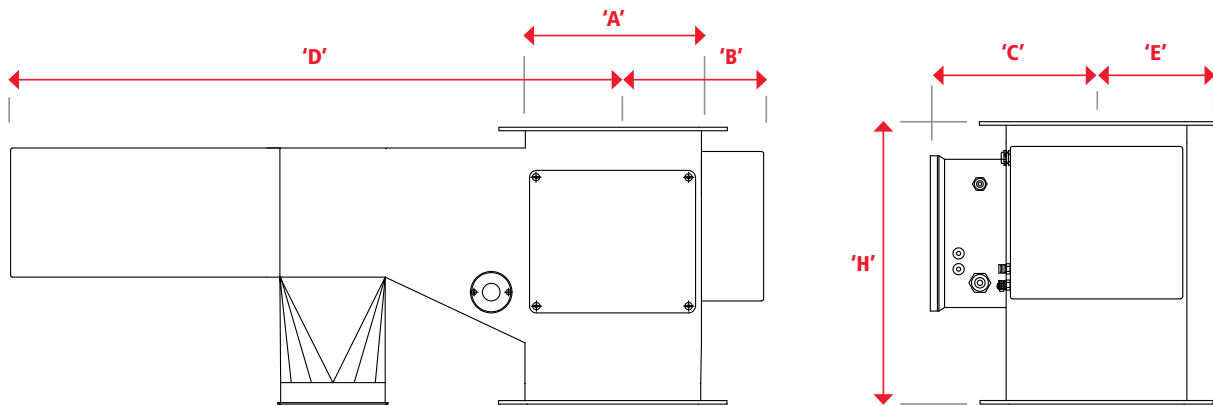
## Cleaning

The magnetic cores remain in the process chamber until a cleaning signal is given. Then compressed air is fed into each separator tube forcing the core to the other end of the unit. The contamination follows the core, which first passes through the product return chamber, which prevents loss of good product, and into the cleaning chamber where the collected contamination is deposited. The cleaning chamber is fitted with a transition piece, which allows a collection container to be fitted. It is this container that is removed to assess the collected contamination.

# Auto-Shuttle Double Row



| Part Number (Round) | Inlet / Outlet A (mm) | B (mm) | C (mm) | D (mm) | E (mm) | H (mm) | Number Of Rods |
|---------------------|-----------------------|--------|--------|--------|--------|--------|----------------|
| ASHD150             | 150                   | 213    | 263    | 787    | 115    | 400    | 3 + 2          |
| ASHD200             | 200                   | 238    | 288    | 837    | 140    | 400    | 3 + 2          |
| ASHD250             | 250                   | 263    | 313    | 887    | 165    | 400    | 4 + 3          |
| ASHD300             | 300                   | 288    | 338    | 937    | 190    | 400    | 5 + 4          |
| ASHD350             | 350                   | 313    | 363    | 987    | 215    | 400    | 6 + 5          |
| ASHD400             | 400                   | 338    | 388    | 1037   | 240    | 400    | 7 + 6          |
| ASHD450             | 450                   | 363    | 413    | 1087   | 265    | 400    | 8 + 7          |
| ASHD500             | 500                   | 388    | 438    | 1137   | 290    | 400    | 9 + 8          |
| ASHD550             | 550                   | 413    | 463    | 1187   | 315    | 400    | 10 + 9         |
| ASHD600             | 600                   | 438    | 488    | 1237   | 340    | 400    | 11 + 10        |

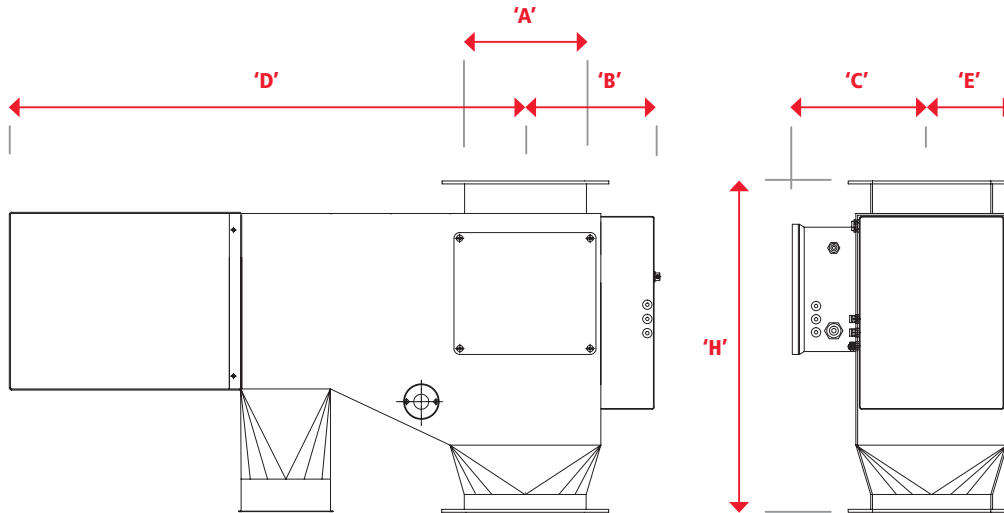


| Part Number (Square) | Inlet / Outlet A (mm) | B (mm) | C (mm) | D (mm) | E (mm) | H (mm) | Number Of Rods |
|----------------------|-----------------------|--------|--------|--------|--------|--------|----------------|
| ASHD1515             | 150                   | 185    | 238    | 817    | 115    | 350    | 2 + 1          |
| ASHD2020             | 200                   | 210    | 263    | 867    | 140    | 350    | 3 + 2          |
| ASHD2525             | 250                   | 235    | 288    | 917    | 165    | 350    | 4 + 3          |
| ASHD3030             | 300                   | 260    | 313    | 967    | 190    | 350    | 5 + 4          |
| ASHD3535             | 350                   | 285    | 338    | 1017   | 215    | 350    | 6 + 5          |
| ASHD4040             | 400                   | 310    | 363    | 1067   | 240    | 350    | 7 + 6          |
| ASHD4545             | 450                   | 335    | 388    | 1117   | 265    | 350    | 7 + 6          |
| ASHD5050             | 500                   | 360    | 413    | 1167   | 290    | 350    | 8 + 7          |
| ASHD5555             | 550                   | 385    | 438    | 1217   | 315    | 350    | 9 + 8          |
| ASHD6060             | 600                   | 410    | 463    | 1267   | 340    | 350    | 10 + 9         |

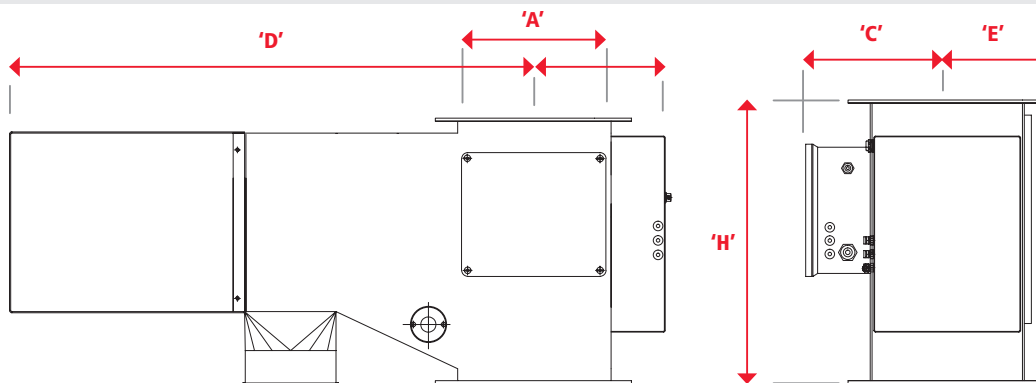
For non-standard sizes, please contact [sales@eclipsemagnetics.com](mailto:sales@eclipsemagnetics.com)

Note: Dimension E is given from the process centreline to the outer edge of the flange

# Auto-Shuttle Triple Row



| Part Number (Round) | Inlet / Outlet A (mm) | B (mm) | C (mm) | D (mm) | E (mm) | H (mm) | Number Of Rods |
|---------------------|-----------------------|--------|--------|--------|--------|--------|----------------|
| ASHT150             | 150                   | 213    | 263    | 787    | 115    | 500    | 2 + 3 + 2      |
| ASHT200             | 200                   | 238    | 288    | 837    | 140    | 500    | 2 + 3 + 2      |
| ASHT250             | 250                   | 263    | 313    | 887    | 165    | 500    | 3 + 4 + 3      |
| ASHT300             | 300                   | 288    | 338    | 937    | 190    | 500    | 4 + 5 + 4      |
| ASHT350             | 350                   | 313    | 363    | 987    | 215    | 500    | 5 + 6 + 5      |
| ASHT400             | 400                   | 338    | 338    | 1037   | 240    | 500    | 6 + 7 + 6      |
| ASHT450             | 450                   | 363    | 413    | 1087   | 265    | 500    | 7 + 8 + 7      |
| ASHT500             | 500                   | 388    | 438    | 1137   | 290    | 500    | 8 + 9 + 8      |
| ASHT550             | 550                   | 413    | 463    | 1187   | 315    | 500    | 9 + 10 + 9     |
| ASHT600             | 600                   | 438    | 488    | 1237   | 340    | 500    | 10 + 11 + 10   |

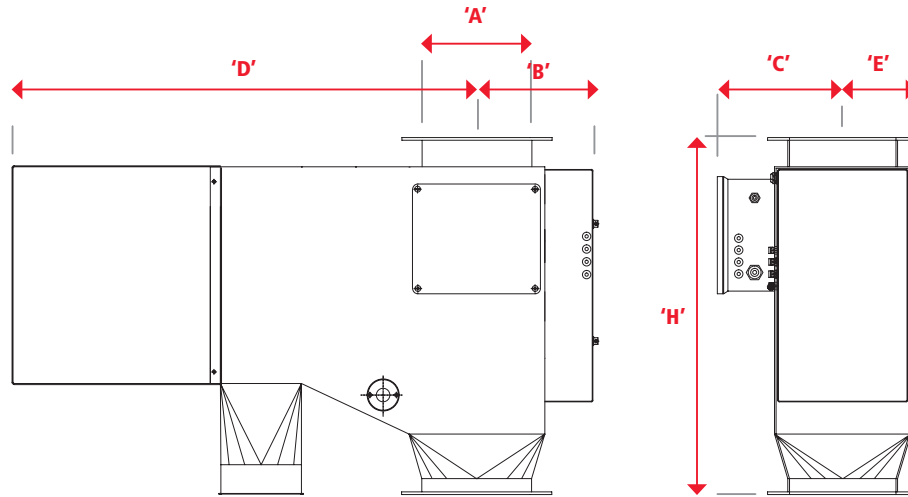


| Part Number (Square) | Inlet / Outlet A (mm) | B (mm) | C (mm) | D (mm) | E (mm) | H (mm) | Number Of Rods |
|----------------------|-----------------------|--------|--------|--------|--------|--------|----------------|
| ASHT1515             | 150                   | 185    | 238    | 817    | 115    | 450    | 1 + 2 + 1      |
| ASHT2020             | 200                   | 210    | 263    | 867    | 140    | 450    | 2 + 3 + 2      |
| ASHT2525             | 250                   | 235    | 288    | 917    | 165    | 450    | 3 + 4 + 3      |
| ASHT3030             | 300                   | 260    | 313    | 967    | 190    | 450    | 4 + 5 + 4      |
| ASHT3535             | 350                   | 285    | 338    | 1017   | 215    | 450    | 5 + 6 + 5      |
| ASHT4040             | 400                   | 310    | 363    | 1067   | 240    | 450    | 6 + 7 + 6      |
| ASHT4545             | 450                   | 335    | 388    | 1117   | 265    | 450    | 7 + 8 + 7      |
| ASHT5050             | 500                   | 360    | 413    | 1167   | 290    | 450    | 8 + 9 + 8      |
| ASHT5555             | 550                   | 385    | 438    | 1217   | 315    | 450    | 9 + 10 + 9     |
| ASHT6060             | 600                   | 410    | 463    | 1267   | 340    | 450    | 10 + 11 + 10   |

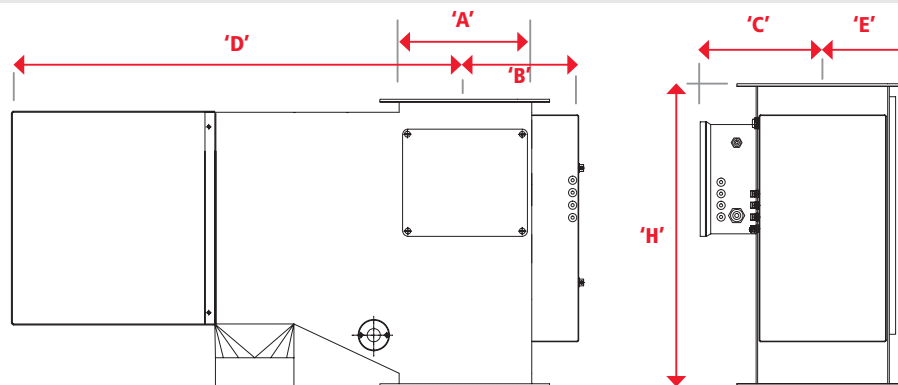
For non-standard sizes, please contact [sales@eclipsemagnetics.com](mailto:sales@eclipsemagnetics.com)

Note: Dimension E is given from the process centreline to the outer edge of the flange

# Auto-Shuttle Quadruple Row



| Part Number (Round) | Inlet / Outlet A (mm) | B (mm) | C (mm) | D (mm) | E (mm) | H (mm) | Number Of Rods    |
|---------------------|-----------------------|--------|--------|--------|--------|--------|-------------------|
| ASHQ150             | 150                   | 213    | 263    | 787    | 115    | 600    | 3 + 2 + 3 + 2     |
| ASHQ200             | 200                   | 238    | 288    | 837    | 140    | 600    | 3 + 2 + 3 + 2     |
| ASHQ250             | 250                   | 263    | 313    | 887    | 165    | 600    | 4 + 3 + 4 + 3     |
| ASHQ300             | 300                   | 288    | 338    | 937    | 190    | 600    | 5 + 4 + 5 + 4     |
| ASHQ350             | 350                   | 313    | 363    | 987    | 215    | 600    | 6 + 5 + 6 + 5     |
| ASHQ400             | 400                   | 338    | 388    | 1037   | 240    | 600    | 7 + 6 + 7 + 6     |
| ASHQ450             | 450                   | 363    | 413    | 1087   | 265    | 600    | 8 + 7 + 8 + 7     |
| ASHQ500             | 500                   | 388    | 438    | 1137   | 290    | 600    | 9 + 8 + 9 + 8     |
| ASHQ550             | 550                   | 413    | 463    | 1187   | 315    | 600    | 10 + 9 + 10 + 9   |
| ASHQ600             | 600                   | 438    | 488    | 1237   | 340    | 600    | 11 + 10 + 11 + 10 |



| Part Number (Square) | Inlet / Outlet A (mm) | B (mm) | C (mm) | D (mm) | E (mm) | H (mm) | Number Of Rods    |
|----------------------|-----------------------|--------|--------|--------|--------|--------|-------------------|
| ASHQ1515             | 150                   | 185    | 238    | 817    | 115    | 550    | 2 + 1 + 2 + 1     |
| ASHQ2020             | 200                   | 210    | 263    | 867    | 140    | 550    | 3 + 2 + 3 + 2     |
| ASHQ2525             | 250                   | 235    | 288    | 917    | 165    | 550    | 4 + 3 + 4 + 3     |
| ASHQ3030             | 300                   | 260    | 313    | 967    | 190    | 550    | 5 + 4 + 5 + 4     |
| ASHQ3535             | 350                   | 285    | 338    | 1017   | 215    | 550    | 6 + 5 + 6 + 5     |
| ASHQ4040             | 400                   | 310    | 363    | 1067   | 240    | 550    | 7 + 6 + 7 + 6     |
| ASHQ4545             | 450                   | 335    | 388    | 1117   | 265    | 550    | 8 + 7 + 8 + 7     |
| ASHQ5050             | 500                   | 360    | 413    | 1167   | 290    | 550    | 9 + 8 + 9 + 8     |
| ASHQ5555             | 550                   | 385    | 438    | 1217   | 315    | 550    | 10 + 9 + 10 + 9   |
| ASHQ6060             | 600                   | 410    | 463    | 1267   | 340    | 550    | 11 + 10 + 11 + 10 |

For non-standard sizes, please contact [sales@eclipsemagnetics.com](mailto:sales@eclipsemagnetics.com)

Note: Dimension E is given from the process centreline to the outer edge of the flange