





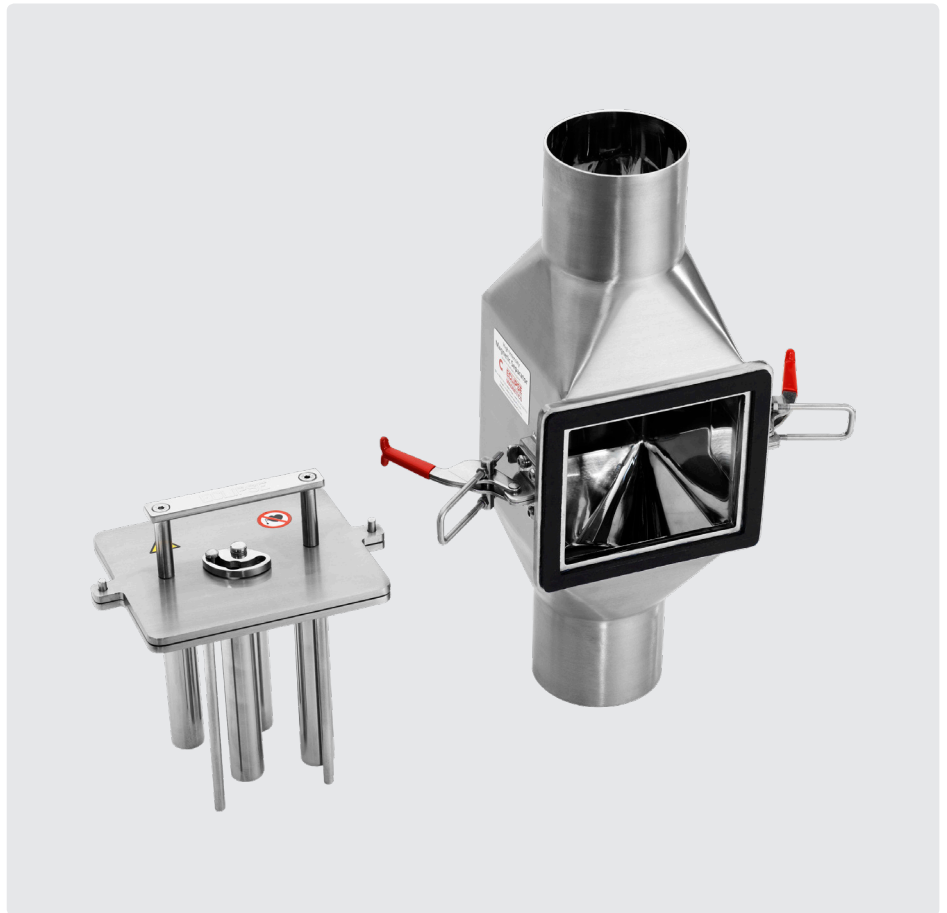
## At A Glance

-  **Protection: Secondary**
-  **Feed Type: Lean / Dilute Phase**
-  **Material Type: NdFeb**
-  **Cleaning Type: Manual**

**Our Pneumag high intensity magnetic separator has been designed to operate in lean / dilute conveying lines to provide protection against ferrous and paramagnetic contamination.**

The unit contains a single double row high intensity magnetic cartridge. It is secured into its housing by quick release toggle clamps, which ensure even pressure is generated around the unique silicon-based metal-detectable seal.

The Pneumag can be incorporated into any form of pneumatic conveying line, from lean to dense phase, and can be installed at any angle from vertical to horizontal. A common installation location is at tanker discharge to inspect incoming materials.



## Benefits

- Reduces 'spark' risk
- Metal detectable seal
- Tamper proof guard
- Removes sub-micron sized contaminants

## Performance

Magnetic Performance	7000, 9000, 10000 (Easy clean), 11000 (Fixed) & 12000 (Fixed) Gauss
Performance Reading	On tube surface
Magnet Grade	N35 & N45 – Inspected and confirmed via hysteresograph prior to use
Temperature	-20°C / +60°C
Pressure	+ / - 1 Bar

## Suitability

Suitable Products	Dry powders and granulates
Suitable Location	All locations

## Materials

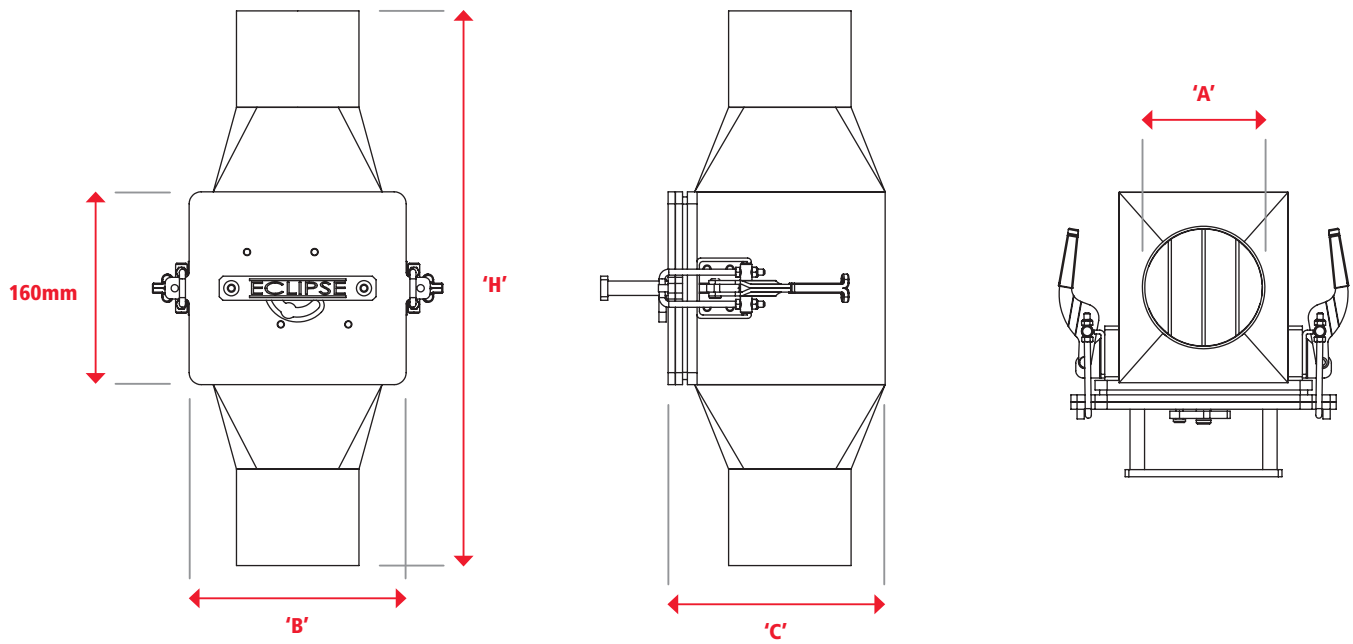
Magnetic Material	Rare Earth Neodymium Iron Boron - (NdFeb)
Housing	316 grade stainless steel
Tubing	316 grade stainless steel
Other Parts	316 grade stainless steel
Sealing	Metal detectable silicon rubber – Blue, FDA approved
Surface Finish	Brushed internally / Polished externally to 1.2µm

## Cleaning

The Pneumag uses our 'easy clean' system. To clean, simply release the quick release toggle clamps, remove the contaminated cartridge from the housing and then remove the magnetic cores from the tube assembly. All attracted contamination will be released allowing for inspection or further analysis.

## Options

- Pharmaceutical specification
- Safety relay switch
- Higher temperature versions available
- Stainless steel toggle clamps
- Higher pressure units available



Part Number	A (mm)	B (mm)	C (mm)	H (mm)	Number Of Rods	Weight (kg)
PNEU50	50	150	132	460	3	8
PNEU75	75	180	180	460	4	11
PNEU100	100	180	180	460	4	11
PNEU125	125	240	220	500	6	18
PNEU150	150	240	220	500	6	18
PNEU175	175	290	272	500	8	24
PNEU200	200	290	272	500	8	24

For non-standard sizes, please contact [sales@eclipsemagnetics.com](mailto:sales@eclipsemagnetics.com)